

# Gauge Adaptor Assembly

▼ Shown: **GA45GC**



## GA45GC Series

Connection 1:  
**3/8" NPTF male**

Connection 2:  
**CR-400 coupler**

Maximum Operating Pressure:  
**700 bar**

**45° Angled gauge adaptor improves safe working conditions**

- 45° angled gauge improves visibility
- Slim and narrow design
- Easy to fit in a broad range of systems
- Maximize controlled load movement
- Glycerin dampened gauge with dual scale
- Enerpac High Flow female coupler.

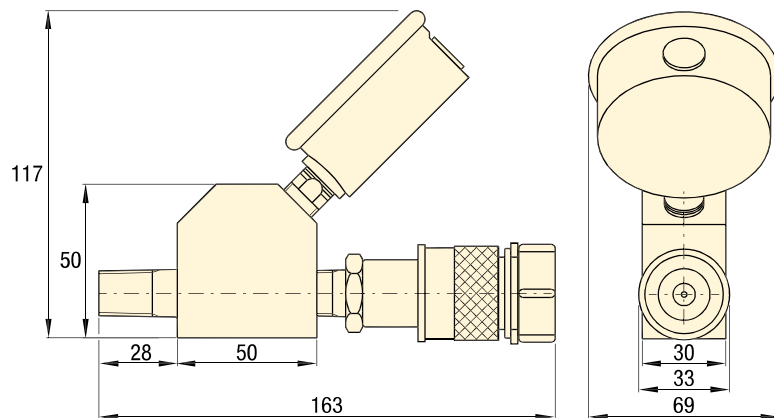


### Power Box

Tool box with hand pump, **GA45GC** gauge adaptor assembly, hose and RSM or RCS-cylinders.

Page: **55**

▼ *The Gauge Adaptor Assembly is the window to your system; allows easy reading of the pressure for safe operation.*



Model Number	Gauge Port (1/4" NPTF)	Male End (NPTF)	Female End (3/8" NPTF)	Gauge Range	
				(bar)	(psi)
<b>GA45GC</b>	G2535L	3/8" -18	CR-400	0 - 700	0 - 10.000