

▼ Shown: EPHR-110



- Patented 'Safety Cage' jaw retention system
- High force hydraulic system for effortless pulling of large components
- Slim tapered jaws for better gripping in tight spots
- Available in 2 and 3 jaw design
- More efficient pulling, as one man can do the job where manual pullers often require two operators.

## High-Tech Pulling



### Transport and Store

Conveniently stores and transports hydraulic pullers and accessories. Order the **EPT-2550** Storage Cart and make your job easier to do!



### Long Jaws

Used to increase the reach and spread of pullers. They maintain the same pulling capacity as the standard jaws, but reduce clamping force by 25%.

Page: **160**



### Application Tip

Because of the unique safety cage design, Posi Lock® pullers will grip on surfaces where normal pullers would slip off; e.g. tapered bearings.

▼ An EPH-113 hydraulic Posi Lock® puller easily removes machined parts from a heavy-production press.




### ▼ SELECTION CHART

Number of Jaws	Maximum Spread (mm)	Capacity ton (kN)	Model Number *
2	304	10 (101)	EPH-208
3	304		EPH-108
2	381	15 (142)	EPH-210
3	381		EPH-110
2	457	25 (232)	EPH-213
3	457		EPH-113
2	635	50 (498)	EPH-216
3	635		EPH-116

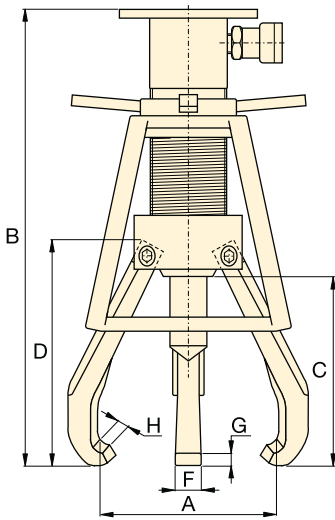
\* Cylinder is not included.

# Posi Lock® Hydraulic Grip Pullers

## ▼ SETS SELECTION CHART

Style	Capacity (ton)	Basic Puller	Cylinder	Stroke (mm)	Pump Set	Set Model Number **	 (kg)
2 Jaw Puller	10	EPH-208	RC-106	152	-	EPHR208	10
	10	EPH-208	RC-106	152	EP-1E	EPHS208E	27
	15	EPH-210	RC-1510	254	-	EPHR210	22
	15	EPH-210	RC-1510	254	EP-1E	EPHS210E	38
	25	EPH-213	RC-2514	362	-	EPHR213	44
	25	EPH-213	RC-2514	362	EP-1E	EPHS213E	53
	50	EPH-216	RC-5013	336	-	EPHR216	87
3 Jaw Puller	10	EPH-108	RC-106	152	-	EPHR108	11
	10	EPH-108	RC-106	152	EP-1E	EPHS108E	28
	15	EPH-110	RC-1510	254	-	EPHR110	23
	15	EPH-110	RC-1510	254	EP-1E	EPHS110E	39
	25	EPH-113	RC-2514	362	-	EPHR113	48
	25	EPH-113	RC-2514	362	EP-1E	EPHS113E	57
	50	EPH-116	RC-5013	336	-	EPHR116	91
	50	EPH-116	RC-5013	336	EP-2E	EPHS116E	127

\*\* Standard set EPHS models shipped with 230 VAC pump.



## EPH Series



Capacity:

**10 - 50 ton**

Maximum Reach:

**203 - 355 mm**

Spread Range:

**19 - 635 mm**

Maximum Operating Pressure:

**700 bar**






### Pump Sets


All Posi Lock® Hydraulic Puller Sets that include 230 VAC pumps, will feature the following components:

	EP-1E Pump Set	EP-2E Pump Set
Pump	PUJ-1200E	ZE4210ME
Hose	HC-7210	HC-7210
Gauge	G-2535L	G-2535L
Adaptor	GA-3	GA-3

Components for 115 VAC pumps are available on request.

### Accessories (see next page for details)

Standard included	Standard included	Optional	
			
Ram Point Sets	Lift Plates	Long Jaws	
19 - 304	EPH-155	EPH-11052	EP-11054
19 - 304	EPH-155	EPH-11052	EP-11054
25 - 381	EPH-155	EPH-11052	EPH-11054L
25 - 381	EPH-155	EPH-11052	EPH-11054L
63 - 457	EPH-257	EPH-11352	EPH-11354L
63 - 457	EPH-257	EPH-11352	EPH-11354L
76 - 635	EPH-508	EPH-11652	-
76 - 635	EPH-508	EPH-11652	-

Dimensions (mm)								Model Number *
Spread min. - max.	Overall Length	Maximum Reach	Jaw Length	Jaw Width	Tip Clearance	Tip Depth	(kg)	
A	B	C	D	F	G	H		
19 - 304	498	203	237	22	7,4	6,9	6,4	EPH-208
19 - 304	498	203	237	22	7,4	6,9	7,3	EPH-108
25 - 381	665	245	270	25	11,2	9,1	10,0	EPH-210
25 - 381	665	245	270	25	11,2	9,1	11,3	EPH-110
63 - 457	846	304	348	31	12,9	9,7	21,3	EPH-213
63 - 457	846	304	348	31	12,9	9,7	25,0	EPH-113
76 - 635	919	355	413	36	15,0	11,7	40,8	EPH-216
76 - 635	919	355	413	36	15,0	11,7	45,4	EPH-116