



Skid Bar

- Provides greater pump stability on soft or uneven surfaces
- Provides easy two-handed lift.

Accessory Kit * Model Nr.	Can be used on ZA4T-Series torque wrench pumps
SBZ-4	Reservoir 04 and 08

* Add suffix **K** for factory installation.
Weight skid bar 2,2 kg.
Ordering Example: ZA4208TX-QK



4-Wrench Manifold

- For simultaneous operation of multiple torque wrenches
- Can be factory installed or ordered separately.

Accessory Kit * Model Nr.	Can be used on ZA4T-Series torque wrench pumps
ZTM-E	for 800 bar torque wrenches
ZTM-Q	for 700 bar torque wrenches

* Add suffix **M** for factory installation.
Weight manifold 4,5 kg.
Ordering Example: ZA4208TX-QM



Roll Cage

- Protects pump
- Provides greater pump stability.

Accessory Kit * Model Nr.	Can be used on ZA4T-Series torque wrench pumps
ZRC-04	Reservoir 04 and 08

* Add suffix **R** for factory installation.
Roll cage weight 3,4 kg.
Ordering Example: ZA4208TX-QR



700 bar Spin-on Couplers

- Mounted on:
 - Torque wrench pumps with suffix "Q"
 - S and W-Series wrenches
 - THQ-Series hoses
 - 4-Wrench manifold ZTM-Q.



800 bar Lock-ring Couplers

- Mounted on:
 - Torque wrench pumps with suffix "E"
 - HXD and SQD-Series wrenches
 - THC-Series hoses
 - 4-Wrench manifold ZTM-E.



Torque Wrench Hoses

Use Enerpac twin safety hoses to connect your torque wrench to the pump.

For 700 bar	Model Nr.
6 m long, 2 hoses	THQ-706T
12 m long, 2 hoses	THQ-712T
For 800 bar	
6 m long, 2 hoses	THC-7062
12 m long, 2 hoses	THC-7122



Torque Wrench Couplers

For Enerpac torque wrench couplers see our "System Components" section in this catalogue.

Ordering Matrix and Specifications

▼ This is how a ZA4T-Series pump model number is built up:

Z	A	4	2	08	T	X	-	Q	M	R
1 Product Type	2 Motor Type	3 Flow Group	4 Valve Type	5 Reservoir Size	6 Valve Operation	7 Voltage	8 Must be E or Q	8 Options	8 Options	8 Options

1 Product Type

Z = Pump series

2 Motor Type

A = Air motor

3 Flow Group

4 = 1,0 l/min @ 700 bar

4 Valve Type

2 = Torque Wrench Valve

5 Reservoir Size

(useable capacity)

04 = 2,7 litres

08 = 6,6 litres

6 Valve Operation

T = Air operated valve with pendant

7 Voltage

X = Not applicable

8 Options

E = 800 bar couplers for use with HXD and SQD-Series or other wrenches

Q = 700 bar couplers for use with S and W-Series or other wrenches

K = Skid bar

M = 4-wrench manifold

R = Roll cage

ZA4T Series



Reservoir Capacity:

4 - 8 litres

Flow at Rated Pressure:

0,8 - 1,0 l/min

Air Consumption:

600 - 2840 l/min

Maximum Operating Pressure:

700 - 800 bar

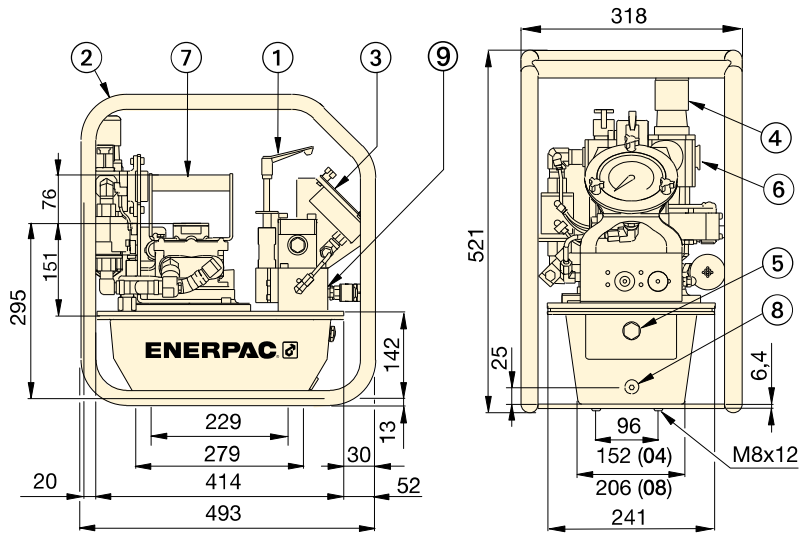


How to order your ZA4T-Series torque wrench pump

Model No. ZA4208TX-QMR

700 bar pump for use with Enerpac S- and W-Series and other 700 bar torque wrenches, 8 litres reservoir, 4-wrench manifold, and roll cage.

Refer to the torque wrench pump selection matrix for optimum wrench, pump and hose combinations.



- ① User adjustable relief valve
- ② Roll Cage (optional)
- ③ Gauge with overlays
- ④ Filter/lubricator/regulator
- ⑤ Oil level sight gauge
- ⑥ Air input 1/2" NPTF
- ⑦ Standard handle
- ⑧ Oil drain
- ⑨ 1/4"-18 NPTF Oil outlet

ZA4T-Series Performance					Dynamic Air Pressure Range (bar)	Air Consumption (l/min)	Sound Level (dBA)	Relief Valve Adjustment Range (bar)
Output Flow Rate (l/min)								
7 bar	50 bar	350 bar	700 bar					
11,5	8,8	1,2	1,0	4,0 - 6,9	600 - 2840	85-90	124-700 *	
5,4 **	4,8 **	1,1 **	0,8 **	7,0 **				

* Pump type (-Q) shown, (-E) range is 124-800 bar.

** ZA4208TX-QRU105 only.

www.enerpac.com

▼ Most hydraulic torque wrenches can be powered by the Enerpac ZA4T-Series torque wrench pump.

