



SCREW IN POPPET CHECK VALVE CAVITY 3/4" 16 UNF

VUC-34*

40 l/min 35 MPa (350 bar)

1 DESCRIPTION

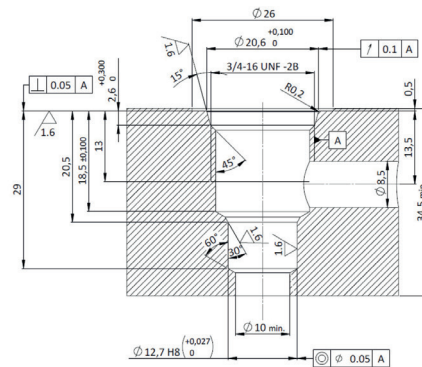
VUC is a poppet check valve in standard cavity 3/4" 16UNF.
The external surface is zinc coated.
The tightness is guarantee by high precision machining parts and by the poppet design.
Different cracking pressure available on demand.



2 ORDERING CODE

(1)	(2)	(3)
VUC	- 34	-

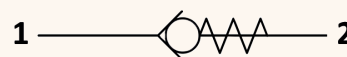
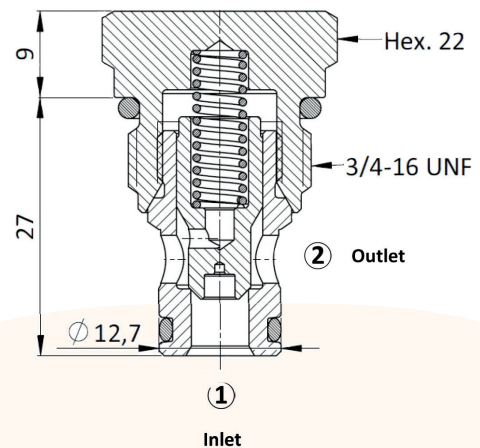
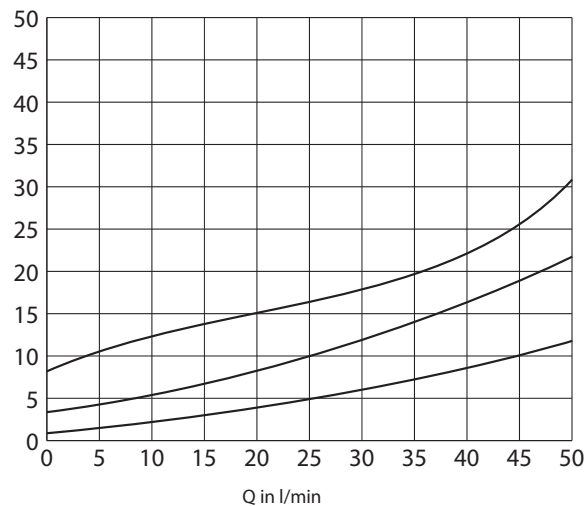
- (1) VUC: check valve
- (2) 34: cavity 3/4" 16 UNF (ø 12,7 mm)
- (3) Cracking pressure
 - no designation: 3 bar (standard execution)
 - 1: 8 bar



3 TECHNICAL DATA

Maximum flow	40 l/min
Maximum pressure	350 bar (35 MPa)
Installation torque	40-45 Nm
Weight	0,06 Kg

4 TYPICAL DIAGRAMS



Valve is designed as simple lock or load-holding device. Flow is free from 1 to 2 and valve opens against the force of the spring. In the direction 2 -1 the flow is blocked and not permitted. Tightness is assured by high quality poppet made in hardened steel.